

# Piegatrice Pneumatica Geosteel

Pneumatic bender to shape the Geosteel extra-high strength galvanized steel fiber sheets.

The bender, which complies with the requirements of Machine Directive, Italian Legislative Decree No. 17/10 (2006/42 16), can be used to shape the sheet so as to create Geosteel sheets wrappings for beams and pillars, creating curve radiuses of from 20 mm to 50 mm, or as indicated in the executive plan, without altering or damaging the mechanical properties of the sheet. Thanks to the pressure exerted by the pistons it can be used to bend quickly and precisely; ideal for large work sites or operations carried out on a large scale.



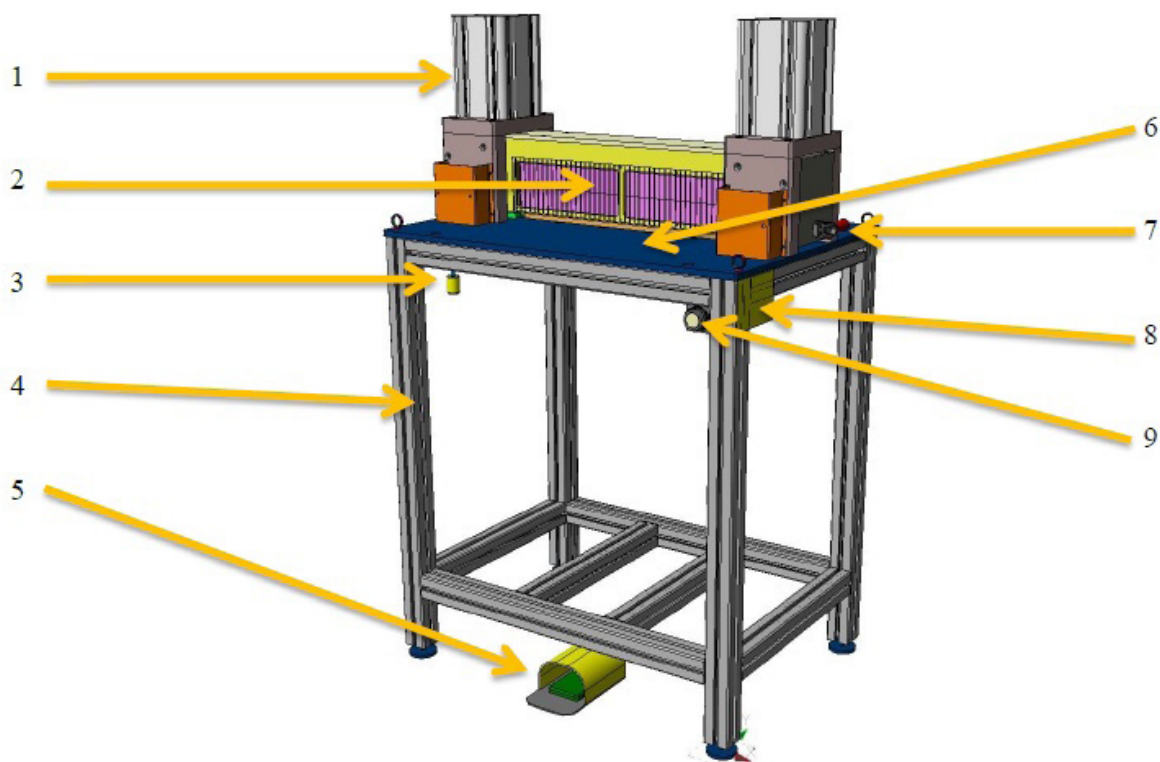
1. CE-marked
2. Compliant for use with respect to the safety of machinery and the user
3. Ease and speed of bending
4. Can be used by a single operator
5. Mechanical characteristics of Geosteel sheets unaffected by bending
6. Compressed air supply using a special compressor supplied with the bender or by direct connection to compressed air piping systems
7. Used to create the curvature required by CNR-DT 200 R1/2013 and CNR-DT 215/2018 for binding of beams and pillars

## Technical diagrams

The machine is made up of a supporting frame made of aluminium profiles, a superstructure consisting of the bending system and the pneumatic system. In the figure, it is shown as presented to the operator.

In the figure are indicated:

1. Pneumatic cylinders for the punch movement
2. Front protection
3. Quick connector for compressed air supply
4. Support frame
5. Punch drive pedal (descent)
6. Support surface for Geosteel sheet
7. Lever for selection of sheet bending type
8. CE-marking label
9. Punch reset button (ascent)



## Instructions for use

Using the Geosteel Bender

1. Connect the machine to the 220 V power line to power the compressor or to a suitable compressed air generator
2. Verify that the machine is working properly
3. Select the desired bending depth using the appropriate levers (7)
4. Insert the Geosteel sheet band into the machine and position it with the area to fold at the punch
5. Operate the punch with the appropriate drop-down buttons, so as to perform the bending
6. Release the buttons
7. Press the punch up button
8. Remove the bent Geosteel band

---

**Technical Data compliant with Kerakoll Quality Standard**


---

Mass	70 kg
Supply area pressure	6 – 10 bar
Cylinder push (depending on air pressure)	150 – 250 daN
Maximum punch stroke	50 mm
Minimum punch stroke	20 mm
Max width of Geosteel sheet	300 mm

---



---

## Warning

- Product for professional use
  - abide by any standards and national regulations
  - abide by warnings and risks indicated in the user manual of the Geosteel Pneumatic Bending Machine
  - follow the instructions for maintenance and adjustment indicated in the user manual of the Geosteel Pneumatic Bending machine
  - follow the instructions for disassembly and disposal indicated in the user manual of the Geosteel Pneumatic Bending machine
  - the machine must be used exclusively for bending Geosteel sheets
- storage on the work site: store under cover in a dry place, well away from substances that might damage it
  - the product is an item according to the definitions of the EC Regulation No. 1907/2006 and therefore does not require a Safety Data Sheet
  - for any other issues, contact the Kerakoll Worldwide Global Service +39 0536 811 516 - [globalservice@kerakoll.com](mailto:globalservice@kerakoll.com)



The Rating classifications refer to the GreenBuilding Rating Manual 2013. This information was last updated in December 2022; please note that additions and/or amendments to this information may be made over time by KERAKOLL Spa; for the latest version, see [www.kerakoll.com](http://www.kerakoll.com). KERAKOLL SpA shall therefore be liable for the validity, accuracy and updating of information provided only when taken directly from its institutional website. The technical data sheet given here is based on our technical and practical knowledge. As it is not possible for us to directly check the conditions in your building site and the execution of the work, this information represents general indications that do not bind Kerakoll in any way. Therefore, it is advisable to perform a preliminary test to verify the suitability of the product for your purposes.